

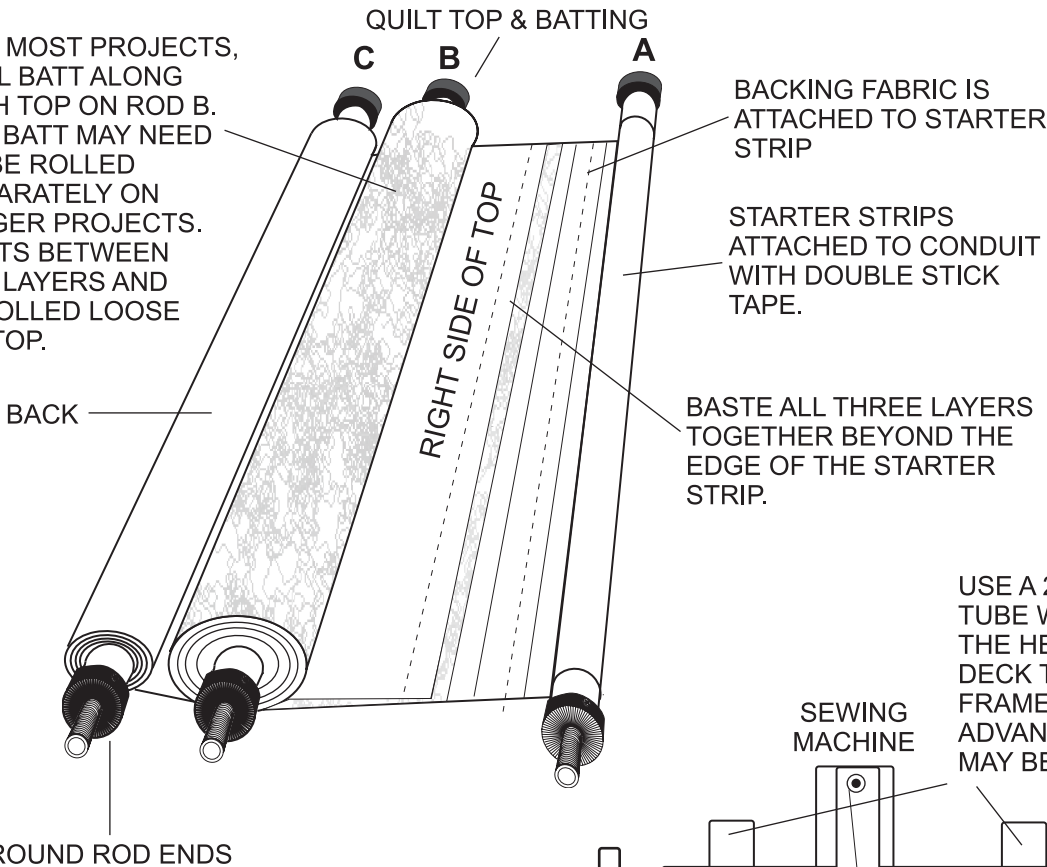
FLYNN MULTI-FRAME SYSTEM

Multi-Frame System with 48 in. Rods, only \$130 COMPLETE!

MULTI-FRAME BASICS

The Multi-Frame consists of two injection-molded fiberglass Frame Ends, each with three patented tension surfaces, and six matching fiberglass Rod Ends, with tension surfaces. Screws attach the Rod Ends to your own metal rods, bolts and knobs tighten and release the tension system. A great instructional DVD is included. This is a very simple sturdy system – we have never had a Frame End break or strip out - and we have sold thousands and thousands of these systems in the past 10 years.

FOR MOST PROJECTS, ROLL BATT ALONG WITH TOP ON ROD B. THE BATT MAY NEED TO BE ROLLED SEPARATELY ON BIGGER PROJECTS. IT FITS BETWEEN THE LAYERS AND IS ROLLED LOOSE ON TOP.

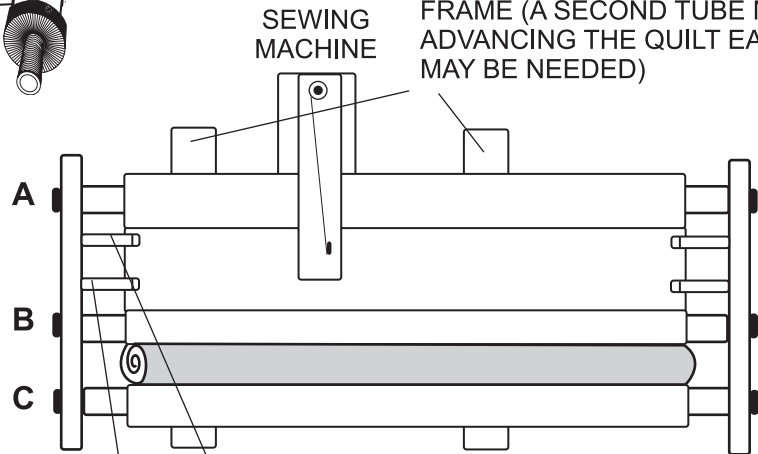


Multi-Frame Includes:

- 3- 48" Tubes
- 2- 24" PVC Pipes
- Leader Strips
- Grosgrain Ribbon
- Instructional DVD
- All Hardware & Fittings

**No more trips
to the Home
Improvement Store!**

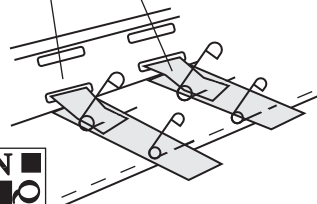
USE A 24" LENGTH OF PVC PIPE TUBE WITH A DIAMETER EQUAL TO THE HEIGHT OF YOUR MACHINE DECK TO SUPPORT THE END OF THE FRAME (A SECOND TUBE MAKES ADVANCING THE QUILT EASIER AND MAY BE NEEDED)



Both the Multi-Frame and the Frame Kit come with the DVD

Multi-Frame with 48 in. Rods	\$130
Frame Kit	\$80
Maximizer 6 Pack	\$19.50
Frame Stand for hand quilters	\$95

Square Rod Ends For Wood 2x2 Rods
Are Still Available



INSERT STRIPS OF GROSGRAIN RIBBON THROUGH THE SLOTS IN BOTH FRAME ENDS AND SAFETY PIN TO EXERT SIDE TENSION ON THE QUILT SANDWICH

Flynn Quilt Frame Company
1000 Shiloh Overpass Road
Billings, Montana 59106
1 (800) 745 3596
<http://www.flynnquilt.com>

